

PRODUCT BROCHURE

**Cartridge-type Dust Collector
DELBAG® MultiJet**

The system solution for dust



Top performance for clean air



SUSTAINABILITY FOR YOUR PROCESSES

Air Eco2nomy is more than just engineering. It is an attitude that creates values with a future: quality of life for people. Protection of the climate and environment. Security for companies and investors.

Many manufacturing activities produce dust: in industrial processes, and including the chemical, pharmaceutical, and food industries. This dust must be reliably and efficiently collected. The MultiJet cartridge-type dust collector from DELBAG® Air Filtration, with its many and various possibilities of application, is the perfect solution for this requirement.

DELBAG® Air Filtration stands for competence and experience from around 100 years of market leadership in air-filter technology. Under the motto Air Eco2nomy, we offer you comprehensively oriented solutions that set standards from economical as well as ecological standpoints. Our MultiJet cartridge-type dust collector is a prime example here.

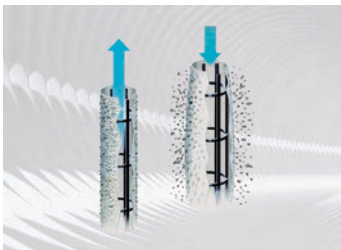
Designed according to the latest insights in filter technology, MultiJet and its development enable it to be employed for almost any kind of dust. MultiJet, for example, is preferred for plants involved in the production and processing of granulated and powdered materials. This cartridge-type dust collector is also the first choice for the mechanical and thermal processing of a great variety of materials – and for work in materials recovery.



- Many and various possibilities for use: e. g., silo exhaust ventilation, materials conveying, minimum quantity lubrication, dry processing, mechanical processing, and general process technology
- Solutions for industry and for the chemical, pharmaceutical, and food industries
- Models with pressure relief and with conformity to ATEX regulations
- Filtration of dry dust, from coarse to sub-micron particles
- A wide selection of models, filter media, materials, and extensive accessories
- Short final-assembly times as a result of pre-assembly in the manufacturer's factory

So that you can handle dust – quickly and economically

- Space-saving design with modular configuration
- Fast, easy exchange of filters on the dust-laden air side
- Compact cartridge-type cassettes with 13 m² of filter surface; weight = 10.5 kg
- Variable time intervals and blasting times
- Integrated compressed-air storage
- Latest servo-control technology for the solenoid valves

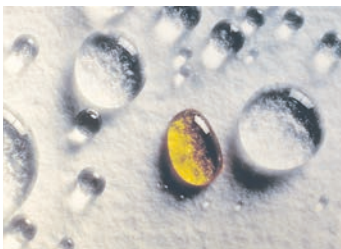


Filter operation

Compressed air blown in the reverse direction

Pulse-jet cleaning

Effective cleaning by flexible mantle



Detail of filter medium

Needle felt with a special micro-porous coating, with oleo and hydrophobic characteristics on the air-inlet side

The MultiJet cartridge-type dust collector combines high filtration efficiency, small space requirements, and need for very little human resources. An extremely cost-effective solution for your dust-collection process.

Maximum effectiveness in a small space

The MultiJet cartridge-type dust collector can be quickly and simply integrated into your work process. Owing to its space-saving modular design, it requires little room to fully deploy its dustcollecting efficiency. In addition, MultiJet requires virtually no human-resources effort. If a filter needs exchanging, its replacement needs very little time owing to the special cassette structural design. This cartridge-type dust collector is designed for air flows up to 200,000 m³/h, and for temperatures up to a maximum of 140 °C. Filtration efficiency conforms to filter categories L and M (formerly BIA categories S, G, and C).

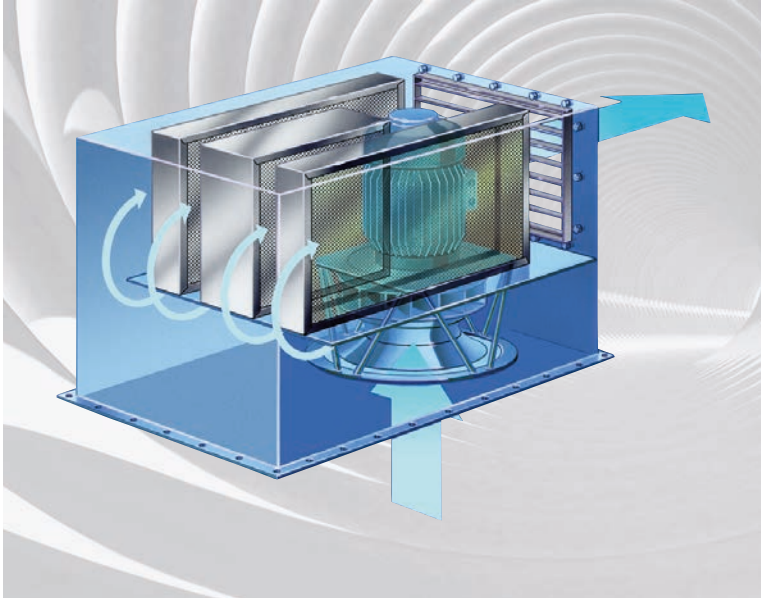
Dust collection and pulse-jet cleaning of the filters

The dust-laden air that enters the dust collection chamber is diverted 90° upward and goes through the bag cartridge from the outside toward the inside. The dust collects on the outside of the bag cartridge and forms a filter cake there. The air flow cleaned in the filter in this way is drawn to the outside by the built-on fan or by an external fan. Short, intensive blasts of compressed air clean the bag cartridges. It is possible to set specific time intervals at which the pulse-jet cleaning process is triggered – or, an especially cost effective, process-controlled system measures the pressure drop of the bag cartridge and starts the cleaning as required. The filtration process is not interrupted. All components of the compressed-air pulse-jet cleaning system have been optimally coordinated with each other and guarantee a reliable cleaning effect – also under difficult operating conditions. The dust blasted off by the compressed air is caught in the dust-collecting hopper and can be stored in a dust bin with a quick-release fastener – or the dust can be removed by a screw conveyor and/or a cellular wheel sluice.

Filter materials – coated, uncoated, anti-static

The MultiJet cartridge-type dust collector can be equipped with various filter materials, depending on the application. The user has a wide selection of material: needle felt made of polyester, Nomex®, Statex®, polypropylene, Teflon®, polyacrylonitrile, or Ryton® – coated or uncoated. A number of these filter materials are available in an antistatic version

A safe solution in any case



Fully encapsulated built-on fan



Model with pressure relief

MultiJet – for effectively coping with any situation

Strict safety standards must be observed in many operational processes of industry – including the chemical, pharmaceutical, and food industries. Work with explosive dust can require special protective equipment, including dust-collection systems, in accordance with ATEX stipulations for hazardous atmospheres. MultiJet by DELBAG® Air Filtration is accordingly available in various models and materials, which enable this cartridge-type dust collector system to be optimally designed in accordance with your respective operational situations. In any case, the safety of men and machines is assured. Extensive accessories are furthermore available to enable you to match MultiJet even better to your work processes.

Models available

- Bolted
- Fully welded
- Reinforced for –0.5 to +0.2 bar
- With pressure relief, in accordance with ATEX for explosive dust (Pred 0.5 bar)

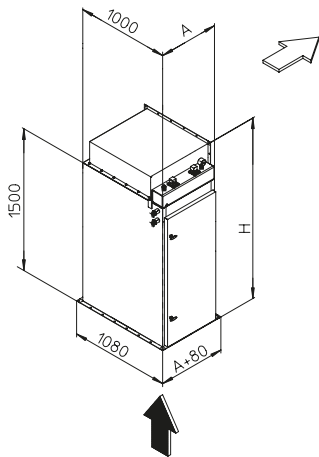
Materials used

- Steel, powder-coated/steel, galvanized
- Steel, powder-coated
- Stainless steel

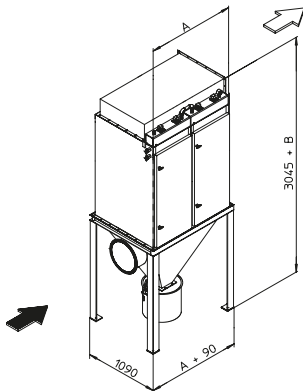
Accessories

- Fully encapsulated built-on fans, with extremely low sound pressure level
- Cellular wheel sluices
- Screw conveyors
- Various filter-control systems
- Access platforms
- Valves – sound-encapsulated and capable of being heated
- Comprehensive explosion protection

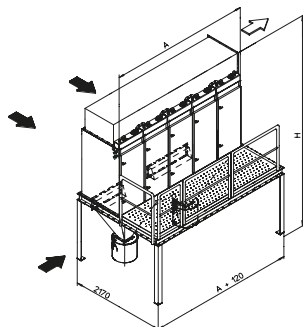
Technical Data



MultiJet TJS-S/E-A



MultiJet TJS-S/E-C⁵⁶



MultiJet TJS-S/E-CB⁵⁶

Dimensions	A = Width mm	B = Depth mm	H = Height mm	Filter area m ²	Weight kg
------------	-----------------	-----------------	------------------	-------------------------------	--------------

Model TJS-S/E-A – Basic unit, without dust collecting chamber, for installation on bunkers, silos, and special containers¹

TJS-S/E-A-2/4 ²	650	1,080	1,740	26	260
TJS-S/E-A-4/4	1,300	1,080	1,740	52	458
TJS-S/E-A-6/4	1,950	1,080	1,790	78	642
TJS-S/E-A-8/4	2,600	1,080	1,990	104	881
TJS-S/E-A-10/4	3,250	1,080	1,990	130	1,084
TJS-S/E-A-12/4	3,900	1,080	2,240	156	1,304
TJS-S/E-A-14/4	4,550	1,080	2,240	182	1,574
TJS-S/E-A-16/4	5,200	1,080	2,240	208	1,799
TJS-S/E-A-18/4	5,850	1,080	2,540	234	2,124
TJS-S/E-A-20/4	6,500	1,080	2,540	260	2,349
TJS-S/E-A-22/4	7,150	1,080	2,540	286	2,579
TJS-S/E-A-24/4	7,800	1,080	2,540	312	2,804

Model TJS-S/E-C – Unit with dust hopper and dust bin, with quick-release fastener¹

TJS-S/E-C-2/4	650	1,090	3,285	26	450
TJS-S/E-C-4/4 ²	1,300	1,090	3,285	52	650
TJS-S/E-C-6/4	1,950	1,090	3,335	78	850
TJS-S/E-C-8/4	2,600	1,120	3,535	104	1,200
TJS-S/E-C-10/4	3,250	1,120	3,535	130	1,450
TJS-S/E-C-12/4	3,900	1,120	3,785	156	1,700
TJS-S/E-C-14/4	4,550	1,120	3,785	182	2,000
TJS-S/E-C-16/4	5,200	1,120	3,785	208	2,250
TJS-S/E-C-18/4	5,850	1,120	4,085	234	2,650
TJS-S/E-C-20/4	6,500	1,120	4,085	260	2,900
TJS-S/E-C-22/4	7,150	1,120	4,085	286	3,200
TJS-S/E-C-24/4	7,800	1,120	4,085	312	3,450

Model TJS-S/E-CB – Unit with dust hopper and dust bin, with quick-release fastener, with service platform¹

TJS-S/E-CB-2/4	650	2,170	3,285	26	550
TJS-S/E-CB-4/4	1,300	2,170	3,285	52	800
TJS-S/E-CB-6/4	1,950	2,170	3,335	78	1,050
TJS-S/E-CB-8/4	2,600	2,170	3,535	104	1,400
TJS-S/E-CB-10/4 ²	3,250	2,170	3,535	130	1,700
TJS-S/E-CB-12/4	3,900	2,170	3,785	156	2,000
TJS-S/E-CB-14/4	4,550	2,170	3,785	182	2,350
TJS-S/E-CB-16/4	5,200	2,170	3,785	208	2,650
TJS-S/E-CB-18/4	5,850	2,170	4,085	234	3,100
TJS-S/E-CB-20/4	6,500	2,170	4,085	260	3,400
TJS-S/E-CB-22/4	7,150	2,170	4,085	286	3,750
TJS-S/E-CB-24/4	7,800	2,170	4,085	312	4,050

Dimensions	A = Width mm	B = Depth mm	H = Height mm	Filter area m ²	Weight kg
Model TJS-S/E-G – Unit with dust bunker and screw conveyor ¹					
TSJ-S/E-G-8/4	2,600	1,120	3,535	104	1,400
TSJ-S/E-G-10/4 ²	3,250	1,120	3,535	130	1,680
TSJ-S/E-G-12/4	3,900	1,120	3,785	156	1,960
TSJ-S/E-G-14/4	4,550	1,120	3,785	182	2,290
TSJ-S/E-G-16/4	5,200	1,120	3,785	208	2,570
TSJ-S/E-G-18/4	5,850	1,120	4,085	234	3,000
TSJ-S/E-G-20/4	6,500	1,120	4,085	260	3,280
TSJ-S/E-G-22/4	7,150	1,120	4,085	286	3,610
TSJ-S/E-G-24/4	7,800	1,120	4,085	312	3,890
Model TJS-S/E-GB – Unit with dust bunker and screw conveyor, with service platform ¹					
TSJ-S/E-GB-8/4	2,600	2,170	3,535	104	1600
TSJ-S/E-GB-10/4 ²	3,250	2,170	3,535	130	1930
TSJ-S/E-GB-12/4	3,900	2,170	3,785	156	2,260
TSJ-S/E-GB-14/4	4,550	2,170	3,785	182	2,640
TSJ-S/E-GB-16/4	5,200	2,170	3,785	208	2,970
TSJ-S/E-GB-18/4	5,850	2,170	4,085	234	3,450
TSJ-S/E-GB-20/4	6,500	2,170	4,085	260	3,780
TSJ-S/E-GB-22/4	7,150	2,170	4,085	286	4,160
TSJ-S/E-GB-24/4	7,800	2,170	4,085	312	4,490
Model TJS-S/E-H – Unit with dust bunker and screw conveyor, with integrated service platform¹					
TSJ-S/E-H-10/4 ²	3,250	2,170	4,680	130	2,200
TSJ-S/E-H-12/4	3,900	2,170	4,930	156	2,580
TSJ-S/E-H-14/4	4,550	2,170	4,930	182	2,910
TSJ-S/E-H-16/4	5,200	2,170	4,930	208	3,390
TSJ-S/E-H-18/4	5,850	2,170	5,230	234	3,870
TSJ-S/E-H-20/4	6,500	2,170	5,230	260	4,250
TSJ-S/E-H-22/4	7,150	2,170	5,230	286	4,780
TSJ-S/E-H-24/4	7,800	2,170	5,230	312	5,010

Additional models are available

¹ Single-row modular configuration

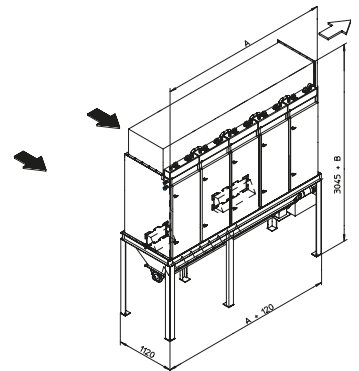
² See drawing

³ Dimensions 2/4 – 6/4

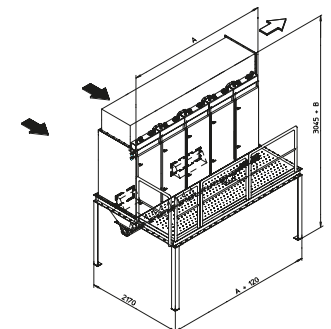
⁴ Dimensions 8/4 – 24/4

⁵ Available with pressure relief, height + 400 mm

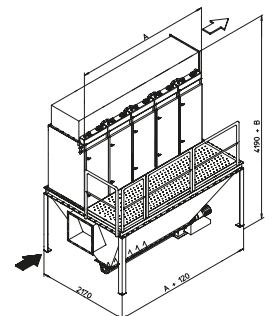
⁶ Reinforced model; height + 100 mm



Multijet TJS-S/E-G^{5,6}



Multijet TJS-S/E-GB^{5,6}



Multijet TJS-S/E-H

***DELBAG® Air Filtration is a dynamic globally active company
within air treatment - filter technology - air quality.***

**Our local consultant and service teams gladly take their time to develop ideas and
solutions together with our clients – creatively and professionally**

